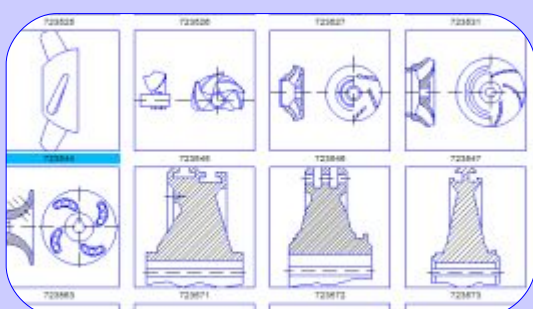
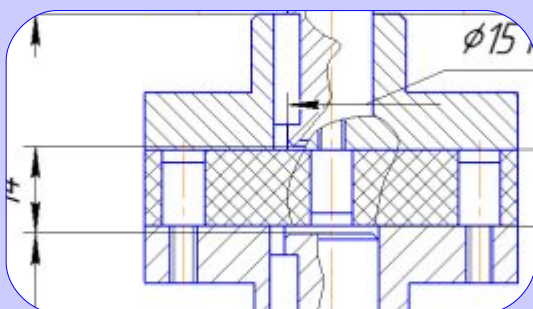
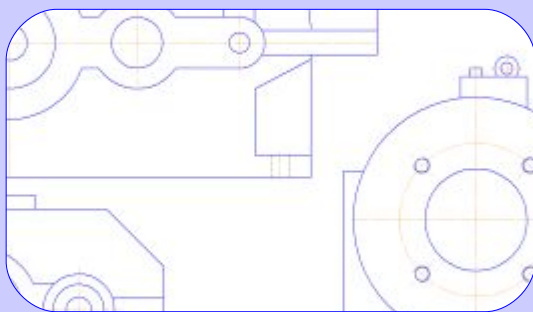
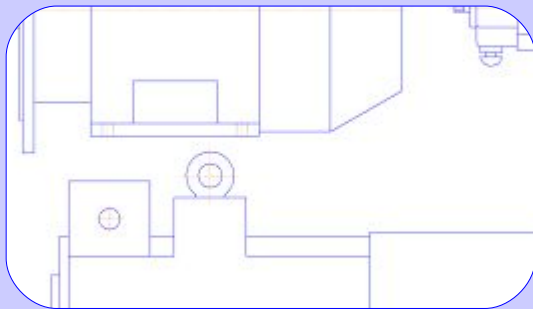
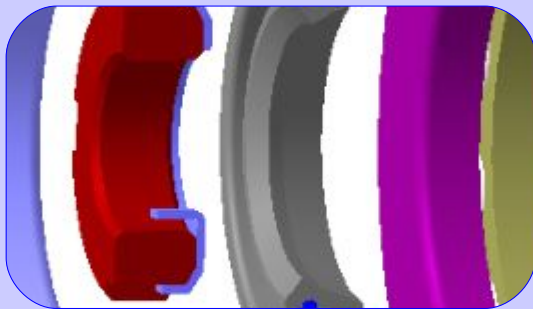
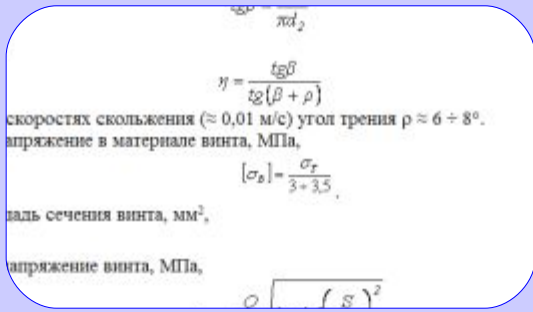
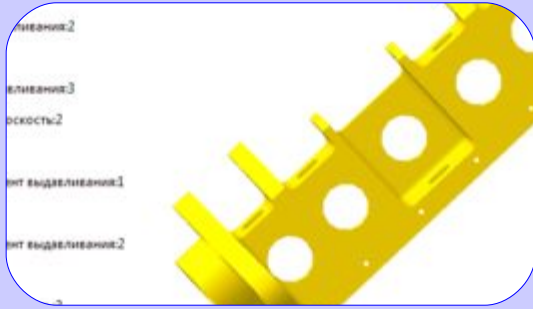
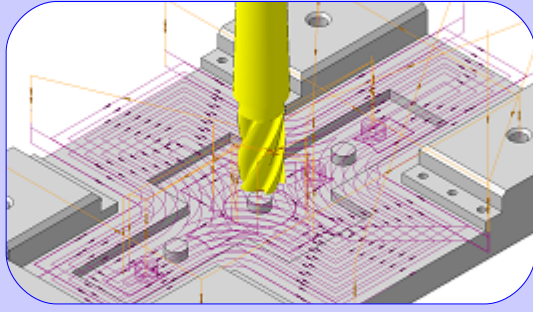


APPLICATION MECHANICAL IV



KOMPAS 3D

CNC module. Milling

CNC module. Milling is a CAM application integrated into the KOMPAS-3D 3D modeling system. The application is intended for programming 3-axis machining on CNC milling machines.

Recognizing 3D Models

The 3D model recognition system expands the possibilities for the exchange of mathematical models between organizations using various CAD systems, making it possible to recognize the image of the KOMPAS-3D model imported through an intermediate format (XT, ACIS, STEP, IGES).

Designer electronic reference

The electronic help system of the ASCON company significantly reduces the designer's time for searching for information, calculating structural elements and analyzing engineering data. The guide has a simple, intuitive interface.

Rolling bearings. Electronic directory

Designed to select rolling bearings and add them to a drawing or 3D model from a database containing 10,000 unit sizes. Allows you to calculate the performance parameters based on the operating conditions of the support nodes. Contains reference information on the parameters of accuracy and roughness of parts mated with bearings, friction, wear and lubrication processes. The handbook is intended for engineers and technicians in all industries.

Catalog Electric motors

The application is intended for use by designers involved in the development of electromechanical drives for various purposes.

Catalog Gearboxes

Catalog: Gearboxes are intended for the work of design engineers involved in the design of electromechanical drives for various purposes.

Dimension chains

The application allows you to calculate dimensional chains for drawings and fragments in accordance with RD 50-635-87 "Methodological guidelines. Dimensional chains. Basic concepts. Calculation Methods for Linear and Angular Chains".

ESKD classifier

A large number of design and technological tasks require the classification of parts and assembly units according to their geometric characteristics. The ESKD classifier is an expert system for quickly and unambiguously assigning a code to a designed part.



REQUIRES: KOMPAS-3D
MANUFACTURER: NATIONAL
RESEARCH MORDOVIAN STATE
UNIVERSITY NAMED AFTER N.P.
OGAREV

REQUIRES FOR WORK: KOMPAS-3D
MANUFACTURER: LLC "ASKON-
DESIGN SYSTEMS"

MANUFACTURER: LLC "ASKON-
DESIGN SYSTEMS"

MANUFACTURER: KAPTSAN
MIKHAIL VIKTOROVICH,
KOVANYUK ALEXANDER
SERGEEVICH

REQUIRES FOR WORK: KOMPAS-
GRAPHIC
MANUFACTURER: ASKON-DESIGN
SYSTEMS LLC

REQUIRES FOR WORK: KOMPAS-
GRAPHIC
MANUFACTURER: ASKON-DESIGN
SYSTEMS LLC

REQUIRES FOR WORK: KOMPAS-
GRAPHIC
MANUFACTURER: ASKON-DESIGN
SYSTEMS LLC

MANUFACTURER: LLC "ASKON-
DESIGN SYSTEMS"