

# SERVICE - SUPPORT - TRAINING

## Knowledge Centre

Mathematical Technology

CAI-CAE-CAD-CAM-MBD-CAPP

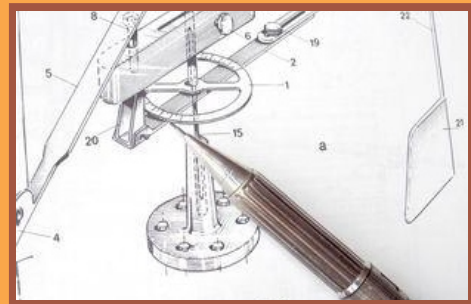
### Mechanical Engineering

#### CAREER PLANING

##### Career Counseling

Features - Opportunity - Higher Education

- +2 Students Looking for Engineering
- Diploma in Mechanical Engineering
- Degree in Mechanical Engineering
- Post Graduate in Mechanical Engineering



#### SYLLABUS PROGRAM

##### Academic - Application

- Engineering Mechanics
- Strength of Materials
- Machine drawing
- Mechanics of Machines
- Machine Element Design
- Design of Transmission System
- Finite Element Methods
- Structural Analysis

#### PROJECTS

##### Mini-Final Projects

- Diploma in Mechanical Engineering
- Degree in Mechanical Engineering
- Post graduate in Mechanical Engineering



# SERVICE - SUPPORT - TRAINING

## Knowledge Centre

Mathematical Technology

CAI-CAE-CAD-CAM-MBD-CAPP

Mechanical Engineering

### RESEARCH

#### Research Application

- Encyclopedic-Technical Data-Analysis Type
- System-Element-Structural Analysis
- Supportive Software Program
- Analysis Data from CAE,CAD,MBD
- Optimization-Analysis Report-Documentation
- Math Illustration
- Geometry Expressions
- Mechanical Expression
- Mathematical modeling-Maplesim - Mathematica ---

### SMALL INDUSTRIES

#### Product - Process

- Product Development
- Reverse Engineering
- Fault Diagnosis
- CAI-CAD-CAE-CAM-CAPP-MBD Service
- Professional Development



# Paviath Integrated Solution

#5/27, 4th Street, Sri Krishna Nagar, Meenakshi Hospital backside,  
Alapakkam Main Road, Chennai - 600 095.

Email: [info@paviathintegratedsolution.com](mailto:info@paviathintegratedsolution.com) Web: [www.paviathintegratedsolution.com](http://www.paviathintegratedsolution.com)

